



DICHTOMATIK

WCP20

WCP20

50 72 8

WCP20

30 47 7



DICHTOMATIK

Quality assurance

Werkstoff-Datenblatt Material Data Sheet

PTFE Nr. : PT 00 37 07

PTFE + 10% Kohlefaser / PTFE + 10% carbon fibre

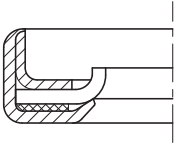
Eigenschaften Properties	Prüfvorschrift Testing Method	Prüfparameter Testing Parameter	Wert Value	Einheiten Units
Härte Hardness	Nadel Needle		58	Shore D
Zugfestigkeit Tensile strength	ASTM D-4894		23.3	N/mm ²
Bruchdehnung Ultimate elongation	ASTM D-4894		271	%
Dichte Specific gravity	ASTM D-4894		2.09	g/cm ³

Erstellt von / created by: Product Management

Ausgabedatum / Date of issue: 04.03.08

Die im Datenblatt dargestellten Ergebnisse sind an Normprobekörpern nach genormten Prüfverfahren ermittelt worden. Vergleiche mit Ergebnissen an fertigen Produkten, z.B. an O-Ringen, führen durch Unterschiede in Geometrie und Fertigungsverfahren zu abweichenden Ergebnissen, die jedoch nicht im Widerspruch zu den Datenblattwerten stehen müssen. Es obliegt dem Anwender, vor Verwendung des Produktes selbst zu prüfen, ob es sich für den Anwendungszweck eignet.

The results displayed in this data sheet were obtained on standard test specimens following standard test procedures. Comparisons with results obtained on finished products, e.g. O-Rings, could lead to other results due to differences in geometry and manufacturing processes. These other results do therefore not automatically contravene the data of this sheet. The evaluation of parts prior to their use in order to ensure their suitability for the intended application is subject to the end user's responsibility.



WCP20

Standard stock

Description

Product group Rotary shaft seal
Design C metal outer coat
+ rigidity ring

Profile No. 20
Seal material PTFE + carbon
fibre
PT 00 3707
Elastomer ring FKM
Colour grey
Metal cages stainless steel
1.4301 (AISI 304)

Operational application limits

Pressure: up to 10 bar
(dependent on the other operating
parameters)
Temperature (°C): -90 to +250
Peripheral speed (m/s): ≤ 40

Media

All types of oil, water, water-oil
emulsion, hot-air, broad chemical
resistance to a great number of
aggressive media.

Function

The WCP20 is a single acting rotary
shaft seal for rotating or pivoting
shafts offering a very long service
life. Excellent sealing performance is
guaranteed by the pre-stressed PTFE
sealing lip which has a very low
friction coefficient providing lower
starting resistance and avoiding stick-
slip problems. As a result the WCP20
also works well in applications where

there is insufficient lubrication or dry
running. Due to a low heat develop-
ment the seal can be used at high
peripheral speeds and with pressures
up to 10 bar, however consideration
should be given to the $p \times V$ factor
(i.e. the product of pressure and
peripheral speed $\leq 40 \text{ bar m/s}$).

To guarantee a high degree of static
sealing on the outer diameter of the
seal a good quality surface finish is
required as follows

$$R_a = 0.8 \text{ bis } 3.2 \mu\text{m}$$

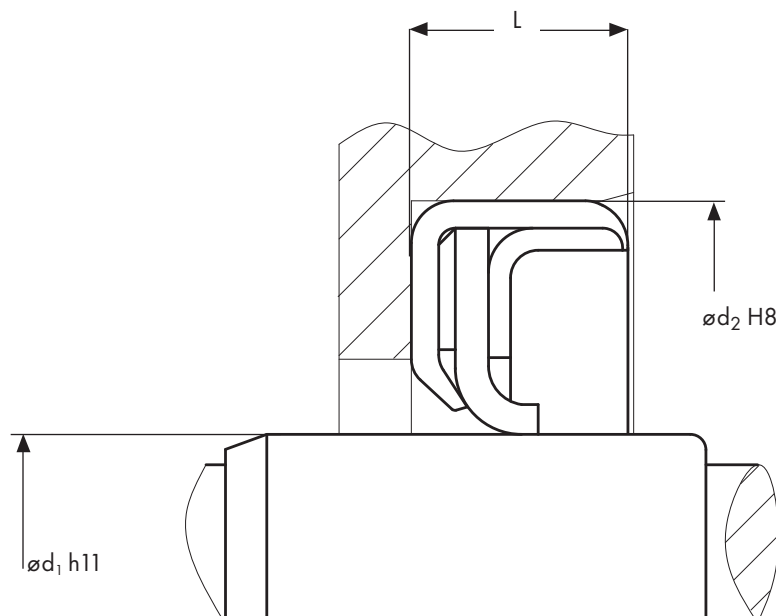
$$R_z = 6.3 \text{ bis } 16 \mu\text{m}$$

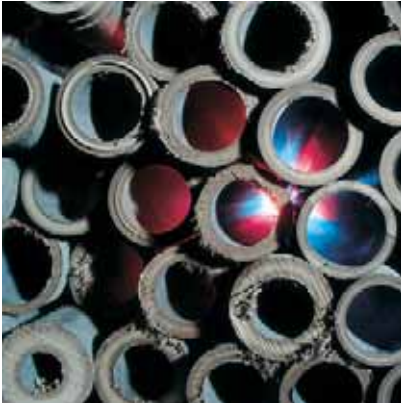
$$R_{\text{max}} \leq 16 \mu\text{m}$$

Surface finish of the housing bore is
extremely important and processing
marks or damage, such as scratching,
scoring, dents or cavities are not per-
missible, particularly when the applica-
tion is in combination with thin fluid or
gaseous media, or split housings are
used. To achieve better static sealing in
these applications an additional coat
of sealing paint can be applied to the
outer metal case.

Areas of Application

Generally used for Sealing of rotating
shafts, hubs, axles or other machine
elements at high peripheral speeds,
high pressures and/or high temperatu-
res. Also used extensively for sealing
of aggressive media or in applications
where there is insufficient lubrication
or dry running due to the excellent
chemical resistance and very good
friction coefficient provided by the PTFE
sealing lip.





Installation

The outer diameter of the metal outer case is centralised in the housing by press-fitting and standard ISO 6194-1 (DIN 3760) housing tolerances should be used. However out-of roundness of the housing should be kept to a minimum to avoid any danger of the PTFE sealing lip no longer being able to follow the shaft at very high speeds. It is recommended that the installation housing is designed to provide the WCP20 with axial support. The PTFE sealing lip must not be damaged or deformed during installation, therefore a suitable tool such as the installation cone (illustrated below) should be used. When installing the WCP20 over a bevelled shaft an installation cone should always be used to avoid deforming the sealing lip. When installing the WCP20 the other way round, with the outside first, a suitable radius, rounding or bevelling must be provided. Otherwise, the usual installation guidelines for rotary shaft seals apply as does the installation chamfer (dk) according to the table.

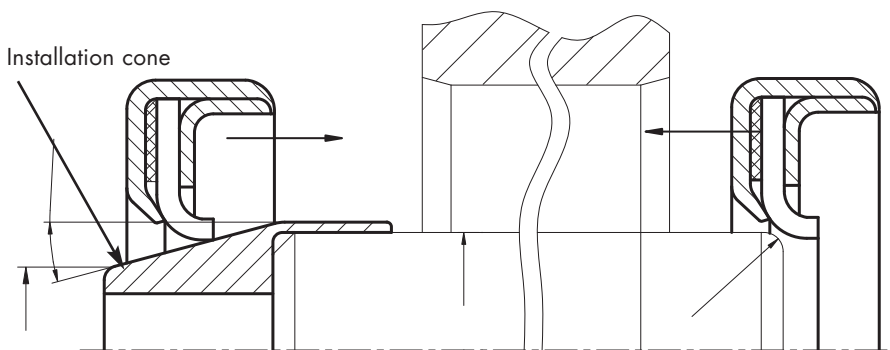
$\varnothing d_1$	$\varnothing d_k$
6 - 60	$\varnothing d_1 - 3.5$
65 - 135	$\varnothing d_1 - 4.5$
140 - 170	$\varnothing d_1 - 6$

Remarks

Although covering a wide range of applications the WCP20 is most typically used in low pressure, high speed applications. The seals are individually packed and labelled WCP20 with the applicable dimensions (see photograph below).

Any Seal. Any Time

The WCP20 is available from stock in all standard dimensions and you are welcome to double check availability at www.dichtomatik.de. In addition our advanced manufacturing process allows us to produce other dimensions in small quantities and at short notice.



Installation WCP20

WCP20Item No. Dimensions in mm
 $\varnothing d_1$ $\varnothing d_2$ L**Sizes**

175332	10	22	7
175333	15	30	7
175334	20	32	7
175335	16	35	7
175336	20	35	7
175337	25	40	7
175338	30	47	7
175339	35	47	8
175340	35	52	8
175341	42	55	8
175342	45	60	8
175343	40	62	8
175344	45	62	8
175345	45	65	8
175346	50	72	8
175347	52	72	8
175348	60	75	8
175349	70	90	10
175350	70	100	10
175351	80	100	10
175352	85	110	10
175353	90	110	10
175354	95	120	12
175355	100	120	12
175356	100	130	12
175357	110	130	12
175358	115	140	12
175359	120	140	12
175360	125	150	12



Any seal. Any time

Deutschland

DICHTOMATIK GMBH
Albert-Schweitzer-Ring 1
D-22045 Hamburg
P.O.Box 70 04 80
D-22004 Hamburg
Phone +49/40/66 98 90
Fax +49/40/66 98 91 01
mail@dichtomatik.de
www.dichtomatik.de

Niederlande

DICHTOMATIK B.V.
Benjamin Franklinstraat 6
NL-8013 NC Zwolle
Postbus 40 102
NL-8004 DC Zwolle
Phone 038/460 16 06
Fax 038/467 19 00
mail@dichtomatik.nl
www.dichtomatik.nl

Großbritannien

DICHTOMATIK LIMITED
Donington House
Riverside Road
Pride Park
GB-Derby DE24 8HX
Phone 01332/52 44 00
Fax 01332/52 44 04
mail@dichtomatik.co.uk
www.dichtomatik.co.uk

Österreich

DICHTOMATIK HANDELSGES. MBH
Rautenweg 17
A-1220 Wien
Phone 01/259 35 41
Fax 01/259 35 41 31
mail@dichtomatik.co.at
www.dichtomatik.co.at

Schweden

DICHTOMATIK AB
Hjalmar Brantings Väg 25
S-26143 Landskrona
Box 142
S-26122 Landskrona
Phone 0418/44 98 00
Fax 0418/44 98 20
mail@dichtomatik.se
www.dichtomatik.se

Italien

DICHTOMATIK S.R.L.
Via Delle Fabbriche 6
I-16158 Genova-Voltri
Phone 010/612 75
Fax 010/613 38 61
mail@dichtomatik.it
www.dichtomatik.it

Frankreich

DICHTOMATIK S.A.S.
Espace Entreprises
Mâcon Loché TGV
F-71000 Loché
Phone 03/85 27 02 80
Fax 03/85 35 69 37
mail@dichtomatik.fr
www.dichtomatik.fr

Ungarn

DICHTOMATIK KFT.
Vegyész utca 17-25
H-1116 Budapest
Phone 01/802 64 00
Fax 01/802 64 10
mail@dichtomatik.hu
www.dichtomatik.hu

USA

DICHTOMATIK North America
47690 East Anchor Court
Plymouth
Michigan 48170
Phone 734/354 55 55
Fax 734/254 09 34
sales@dichtomatik.us
www.dichtomatik.us

Kanada

DICHTOMATIK North America
950 Denison Steet Unit 21
Markham
Ontario L3R 3K5
Phone 905/470 22 66
Fax 905/470 20 55
sales@dichtomatik.ca
www.dichtomatik.ca

Brasilien

Division Dichtomatik Brazil
Freudenberg-Nok
Componentes Brazil Ltda.
Av. Piraporinha, 411
BR-Diadema 09950-902 SP
Phone 11/33 68 80 80
Fax 11/33 68 80 81
vzg@fnpp.com

Mexiko

International Seal De Mexico
S.A. De Cv
Av. De Las Misiones No. 5
Fracc. Ind. Bernardo Quintana
MEX-El Marques., Queretaro 76246
Phone 442/221 63 03
Fax 442/221 63 27
efenton@dichtomatikmex.com
www.dichtomatikmex.com

PN: 1753338

TYPE: JCP20
REF: 47 x 7

